

## 4km Laser Range Finder Module

The LRF module has a single measurement mode only one measurement, continuous measurement mode, according to the selected sampling frequency return continuous results. Welcome to buy 4km Laser Range Finder Module from us.

The measurement range is up to 3800M (Forest)

The sampling frequency is 1Hz

Measuring accuracy (0.3m)

Communication interface: TTL/RS232/485  
(BaudRate=600-19200)

All instructions are in hexadecimal format

## 4km Laser Range Finder Module Introduction

M40X is an excellent outdoor remote laser ranging module. It is widely used in highly integrated systems such as UAV pod and thermal imaging. Measuring range up to 3800 meters (forest)

Features:Low power consumption, stable performance, small size and light weight

## Product Parameter (Specification)

|                         |   |
|-------------------------|---|
| Model Name              | M40X  |
| Measuring Distance      | 5~4500m(Typ.)<br>Forest : 5~3800m,Small target: 5~2500m |
| Resolution              | 0.1 mm  |
| Frequency               | 1 Hz  |
| Wavelength              | 905 nm  |
| Divergence              | 5 mrad/2.5 mrad (customizable)                          |
| Communication Interface | Standard: TTL / RS232 / 485                             |
| Input Voltage           | 3 ~ 5 V   |
| Operating Current       | 80mA ~ 230mA  |
| Laser Safety            | Class 1   |
| Power Consumption       | <1 mW   |

|                       |                       |
|-----------------------|-----------------------|
| Operating Temperature | -20 ~ 50 °C           |
| Dimension             | 60.56x 33.1 x 48.68mm |
| Ranging mode          | pulse mode            |
| Weight                | ≤40 g                 |

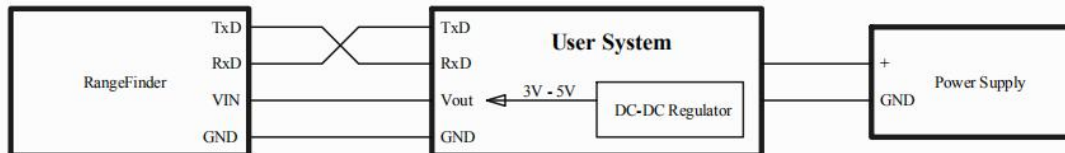


Figure 1 Connect With TTL

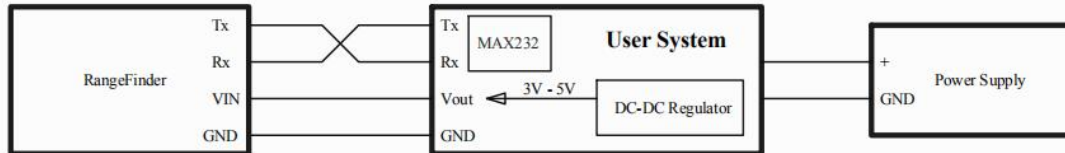
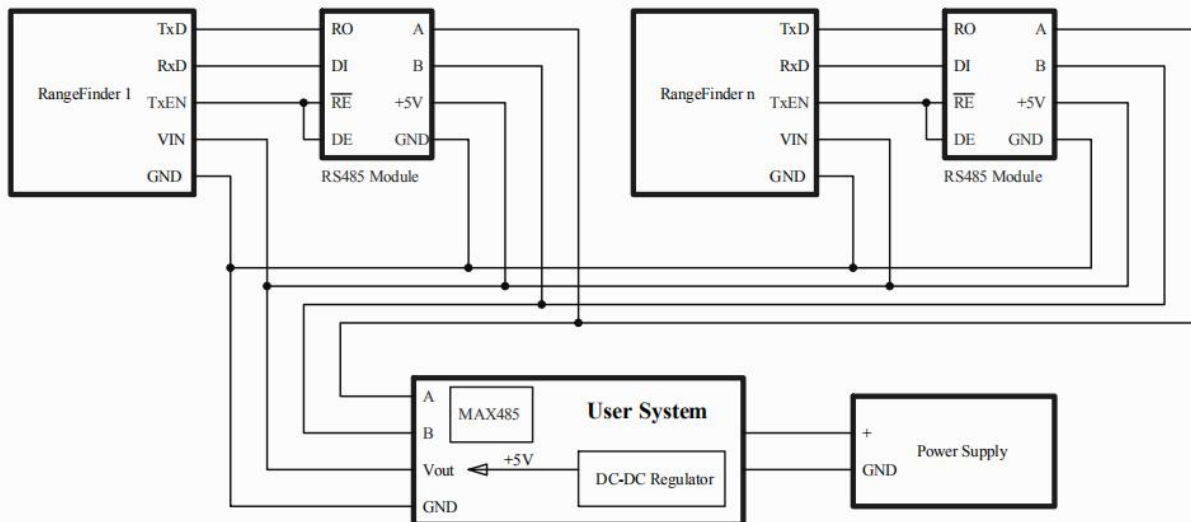


Figure 2 Connect With RS232



## Product Feature And Application

- M30X Long laser ranging module for target measurement performance
- Typical targets (80% reflectance) measurement range  $\geq 5.5\text{km}$
- Large white wall  $\geq 4.5\text{km}$
- Forest (15% reflectivity) measurement range  $\geq 3.8\text{km}$
- Small target measurement range  $\geq 2.3\text{km}$

# JIOPTICS

[www.jioptics.com](http://www.jioptics.com)

OEM ranging modules and custom solutions

The M40X is designed for system integrators looking for a convenient, powerful and compact laser ranging solution. It provides reliable performance in a wide range of applications.

It is very small, ultra-light, has low power consumption and can be measured over a long distance. It is suitable for handheld devices (thermal imaging), weapon mounting applications, portable systems and lightweight sensor suites and unmanned aerial vehicles or UGVs.

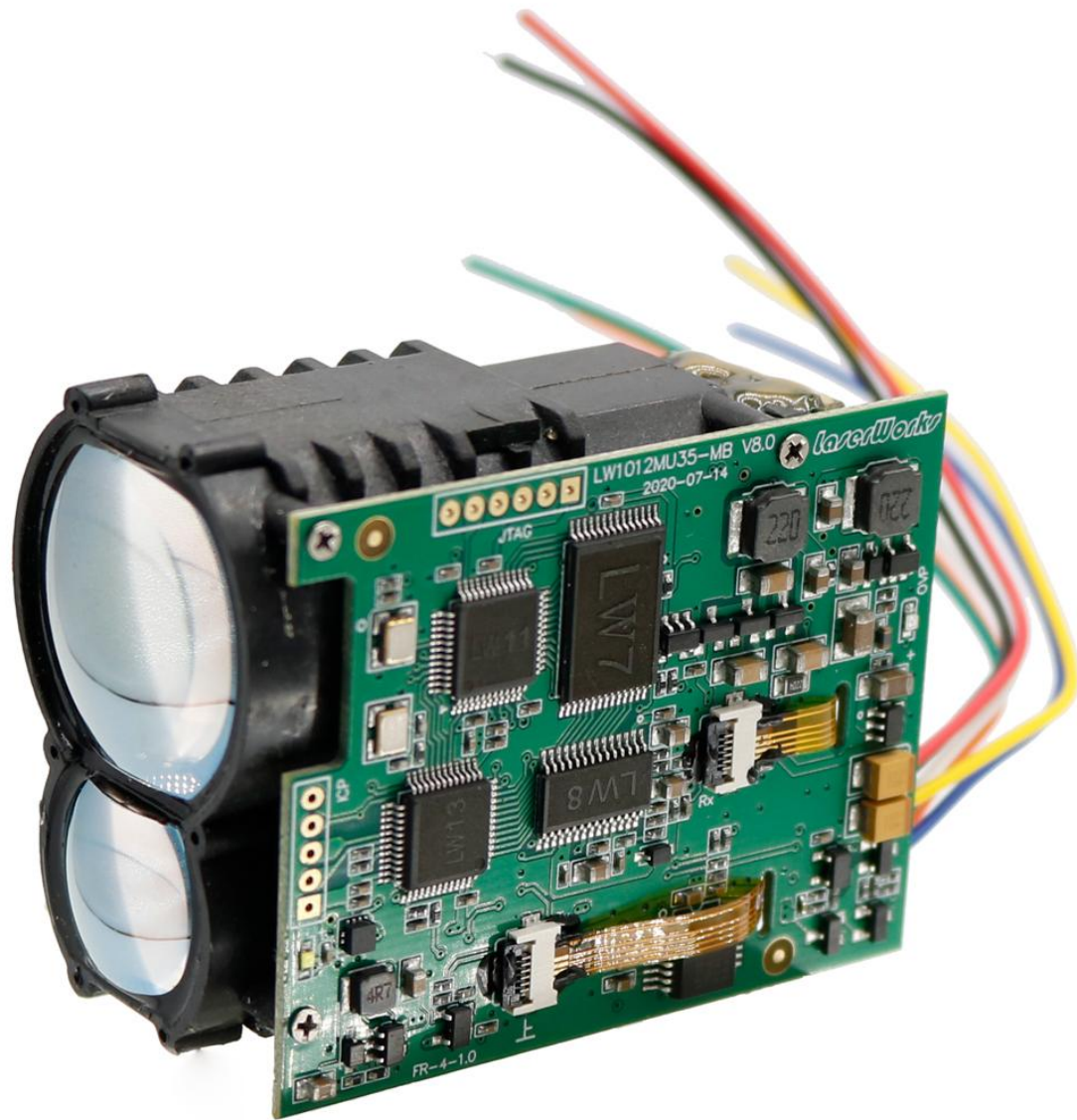
Product Details

**Tel:+86-13570832601**

**Email:sales@jioptics.com**

**JIOPTICS**

[www.jioptics.com](http://www.jioptics.com)



Tel:+86-13570832601

Email:sales@jioptics.com

